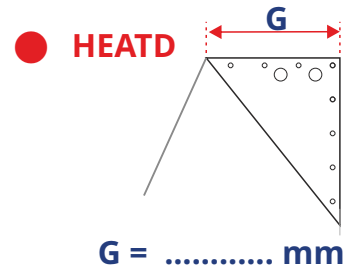
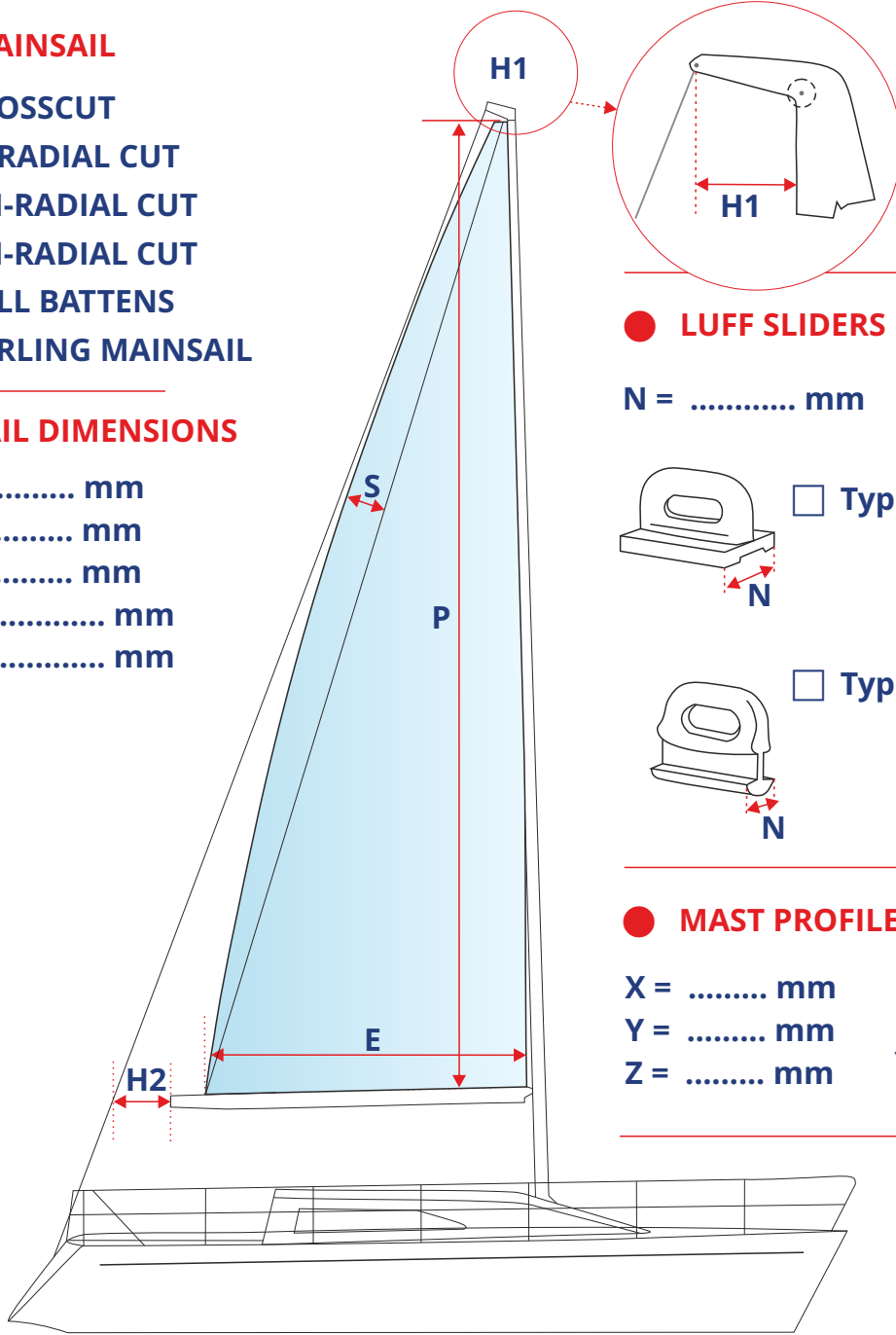


MAINSAIL

- CROSSCUT
- BI-RADIAL CUT
- TRI-RADIAL CUT
- TRI-RADIAL CUT
- FULL BATTENS
- FURLING MAINSAIL

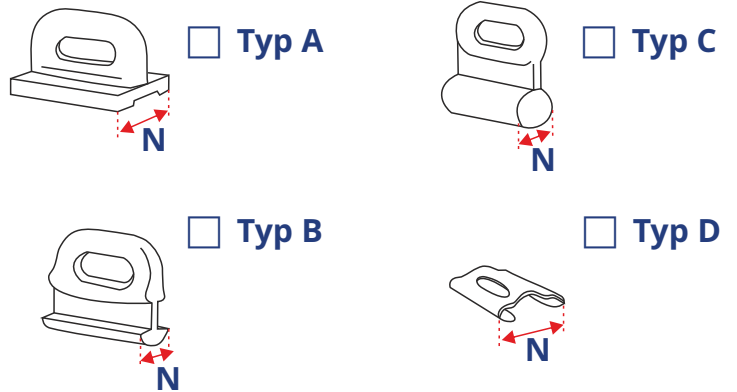
SAIL DIMENSIONS

P = mm
 E = mm
 S = mm
 H1 = mm
 H2 = mm



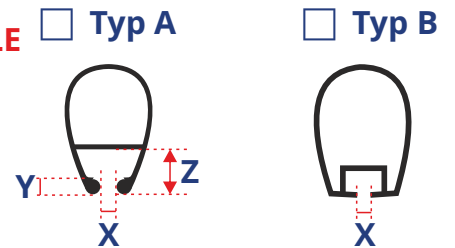
LUFF SLIDERS

N = mm



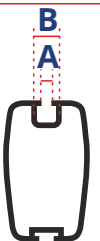
MAST PROFILE

X = mm
 Y = mm
 Z = mm



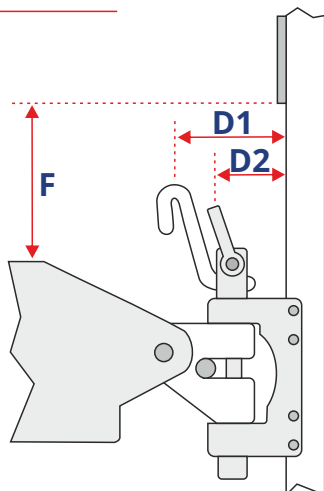
BOOM PROFILE

A = mm
 B = mm



TACK

F = mm
 D1 = mm
 D2 = mm



LEECH REEF

R1 = mm
 R2 = mm
 R3 = mm

